



GRIDDLE RIBBED TOP

ELECTRIC

GRIDDLE RIBBED TOP



"Anvil grillers serve up the best steaks, chops, burgers, mixed grills, seafood and pancakes. They are ideal for breakfast – eggs, tomatoes, bacon – The possibilities are endless."

APPLICATION

- IDEAL FOR USE IN STEAK HOUSES, RESTAURANTS, COFFEE SHOPS, CLUBS AND PUBS
- PORTABLE AND COMPACT FOR OUTSIDE CATERERS

CONSTRUCTION

- HEAVY DUTY RIBBED COOKING SURFACE FOR HIGH HEAT RETENTION
- GREASE TROUGH DRAINS INTO BOTTOM MOUNTED GREASE COLLECTION PAN
- SPLASH BACK PREVENTS UNDUE GREASE SPATTERING
- AVAILABLE IN 16, 24 AND 36" WIDTH TO SUIT YOUR UNIQUE APPLICATION

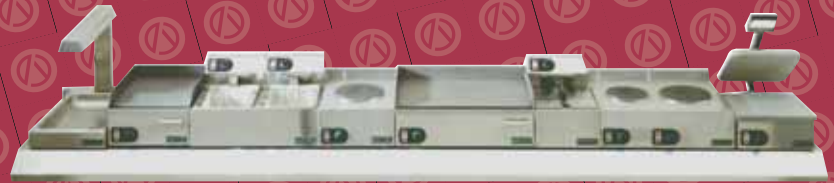
HEATING

- RAPIDLY HEATS UP TO OPTIMUM COOKING TEMPERATURE
- THERMOSTATICALLY CONTROLLED UP TO A MAX OF 570°F
- ELEMENT DESIGN ENSURES EVEN HEATING OVER ENTIRE COOKING SURFACE

Anvil reserves the right, without notice, to make changes and revisions to product specifications, materials and design, which in our opinion, will provide better performance, durability and efficiency.



ALL ANVIL EQUIPMENT COMES WITH A ONE YEAR WARRANTY ON COMPONENTS AND DEFECTIVE WORKMANSHIP

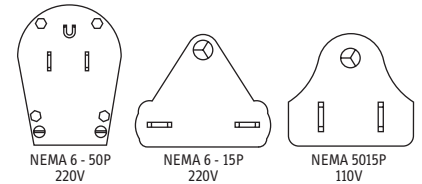
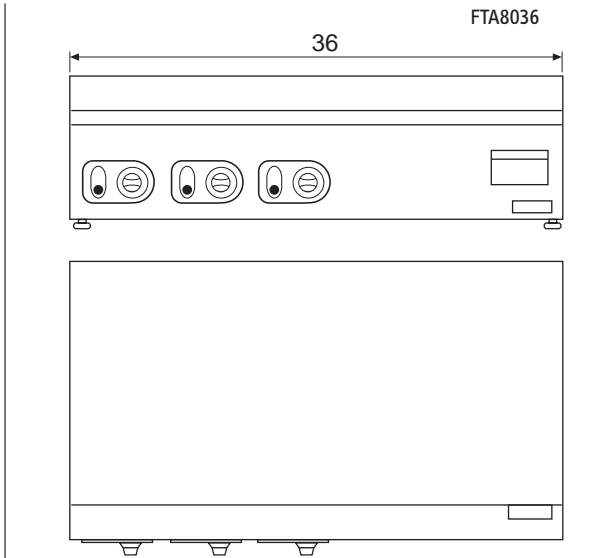
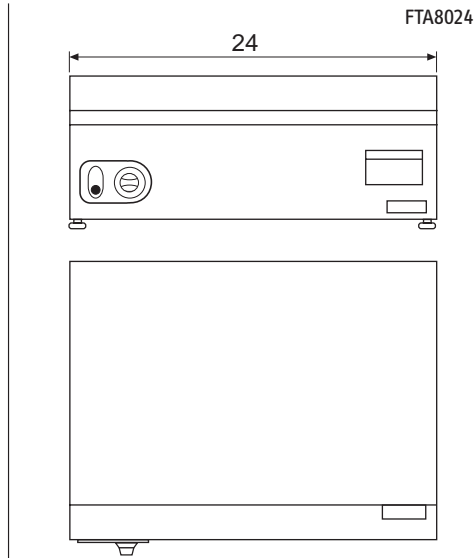
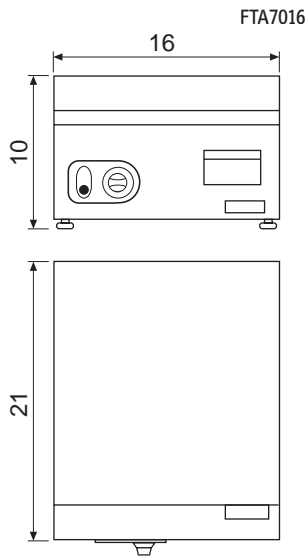


NOTE:

When viewing the appliance from the front in its usual operating position, the width (W) of the product is the total distance from left to right ; the depth (D) of the product is the total distance from front to back ; the height (H) is the total distance from the bottom of the product to the top

**GRIDDLE
FLAT TOP**

MODELS :
FTA 7016
FTA 8024
FTA 8036



DESCRIPTION	GRIDDLE 16"	GRIDDLE 24"	GRIDDLE 36"
MODEL	FTA7016	FTA8024	FTA8036
APPROX. # BURGERS P/HR	200	300	400
VOLTAGE (V)	110	220	220
POWER (kW)	1.8	3	8.4
DIMENSIONS (in) (W x D x H)	16 x 21 x 10	24 x 21 x 10	36 x 21 x 10
BOX DIMNS (in) (W x D x H)	18 x 22 x 13	28 x 22 x 13	41 x 22 x 13
PACKED WEIGHT (lbs)	49	78	160
COMPLIES WITH SPEC.	UL 197	UL 197	UL197

Note: Output performance figures quoted are dependant on various factors.

Website: www.anvilworld.com



FTA_ANVL_USA_01